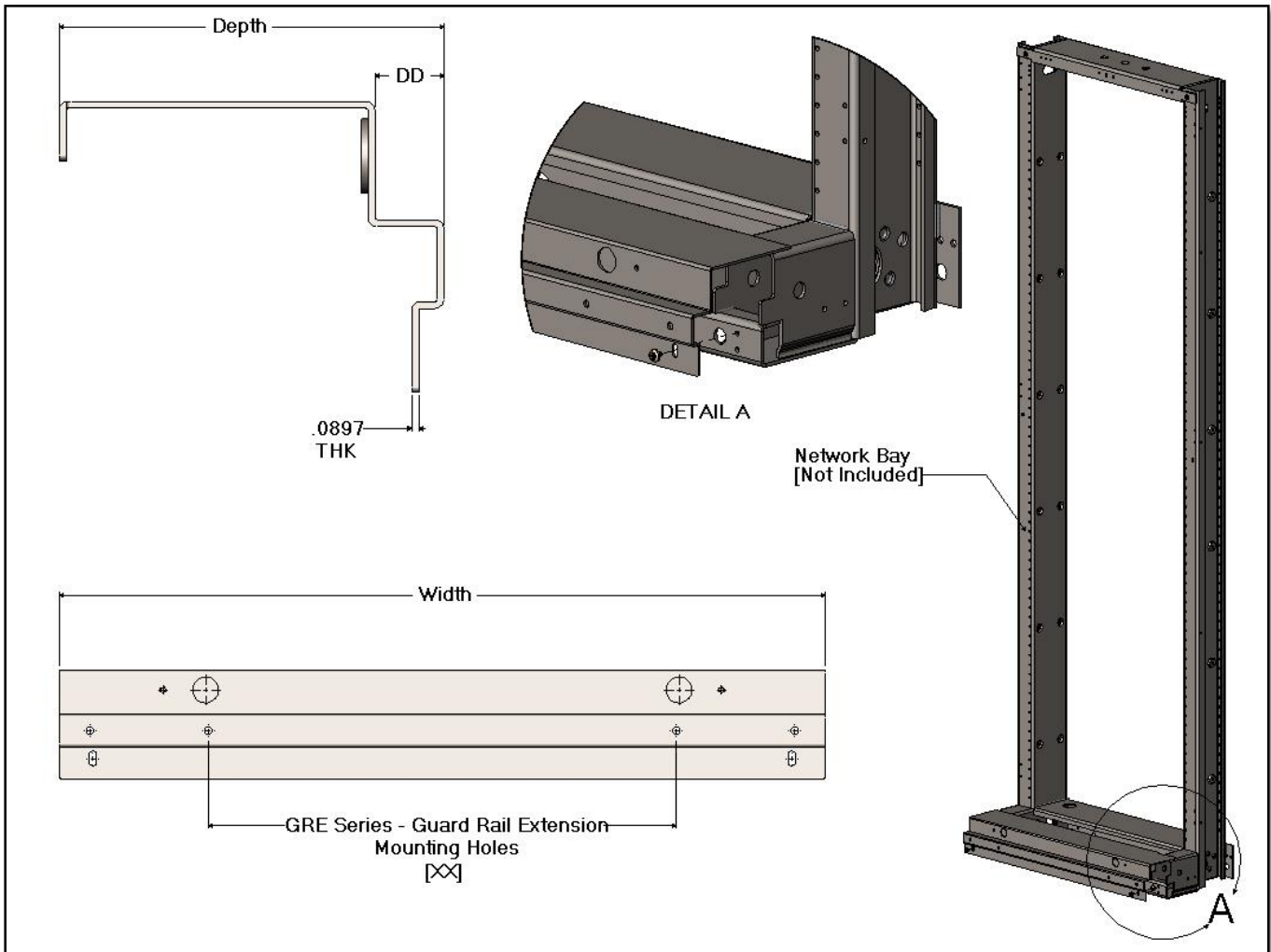




## RNC2 Series - Network Bay Cover Selection



RNC2 Series - Network Bay Covers				
CSF P/n#	Width	[ XX ]	Depth	DD
R400xx	26.00"	15.81"	5.00"	1.00"
R402xx	26.00"	15.81"	6.00"	2.00"
R403xx	22.00"	11.81"	5.00"	1.00"
RNC203	26.00"	15.81"	3.00"	1.00"
RNC207	26.00"	15.81"	7.00"	1.00"
RNC208	26.00"	15.81"	8.00"	1.00"
RNC209	26.00"	15.81"	9.00"	1.00"
RNC210	26.00"	15.81"	10.00"	1.00"

CSF P/n#	Width	[XX]	Depth	DD
RNC211	26.00"	15.81"	11.00"	1.00"
RNC212	26.00"	15.81"	12.00"	1.00"
RNC213	26.00"	15.81"	13.00"	1.00"
RNC215	26.00"	15.81"	15.00"	1.00"
RNC216	26.00"	15.81"	16.00"	1.00"
RNC217	26.00"	15.81"	17.00"	1.00"
RNC218	26.00"	15.81"	18.00"	1.00"
RNC220	26.00"	15.81"	20.00"	1.00"
RNC223	26.00"	15.81"	23.00"	1.00"

**Notes:**

- Finishes: See Finish Codes.
- Kit includes all mounting hardware.
- Cutouts provided in flange for mounting hardware clearance.
- See RNPB and RNPS page for power strips.

Specifications subject to change. Please contact CSF Customer Service for more information.